

Contact Name:

Contact Phone No.

E-Mail:

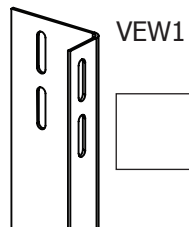
Site Address

Project:

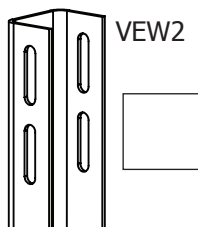
Date Required:

Order No.

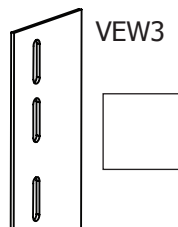
Post Type - Please tick relevant box



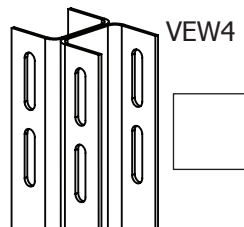
VEW1



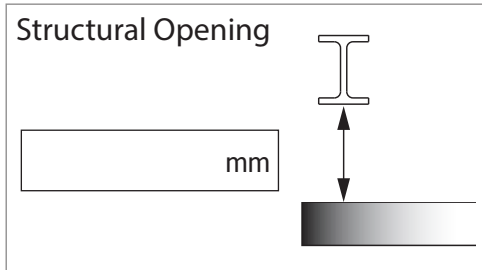
VEW2



VEW3



VEW4

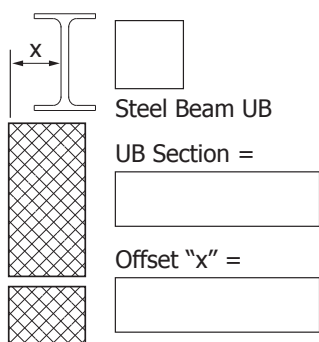


Qty Reqd =

Section Size =

Design Load/Post (kN) ULS =

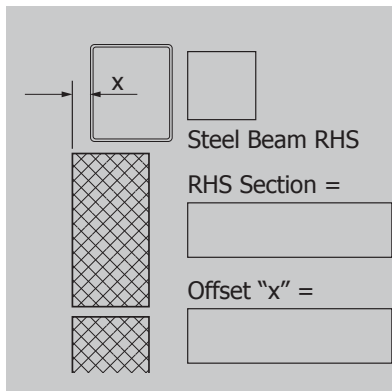
Top Connection - Please tick required top connection type and confirm sizes / dimensions requested



Steel Beam UB

UB Section =

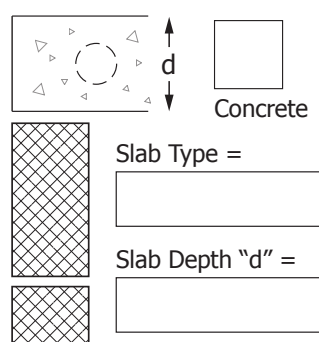
Offset "x" =



Steel Beam RHS

RHS Section =

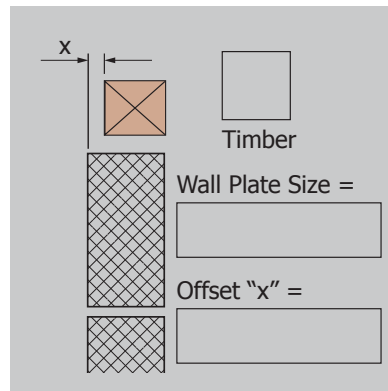
Offset "x" =



Concrete

Slab Type =

Slab Depth "d" =

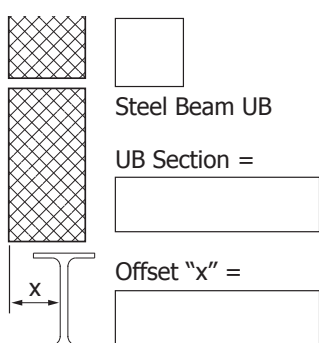


Timber

Wall Plate Size =

Offset "x" =

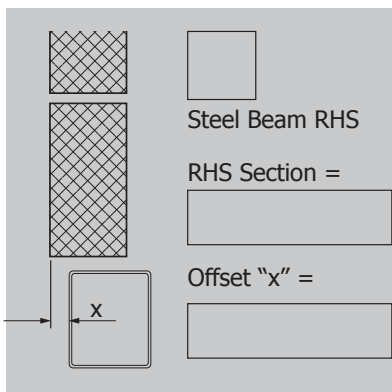
Base Connection - Please tick required base connection type and confirm sizes / dimensions requested



Steel Beam UB

UB Section =

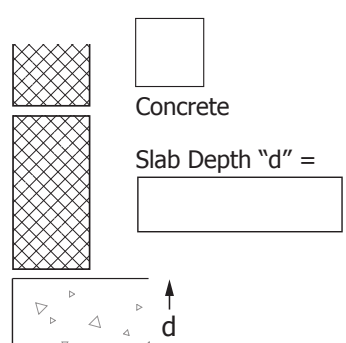
Offset "x" =



Steel Beam RHS

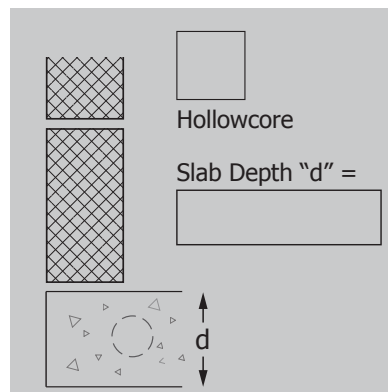
RHS Section =

Offset "x" =



Concrete

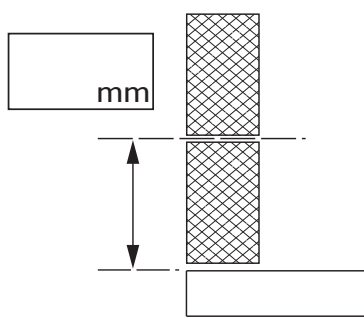
Slab Depth "d" =



Hollowcore

Slab Depth "d" =

First Tie Position

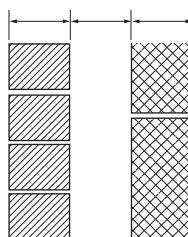


Masonry Construction Dimensions

Brick= mm

Cavity= mm

Block= mm



Additional Comments

Signature _____

Date _____